



## Seamless Touch Experience with a Highly Durable Screen for Industrial, Medical, and Other Markets

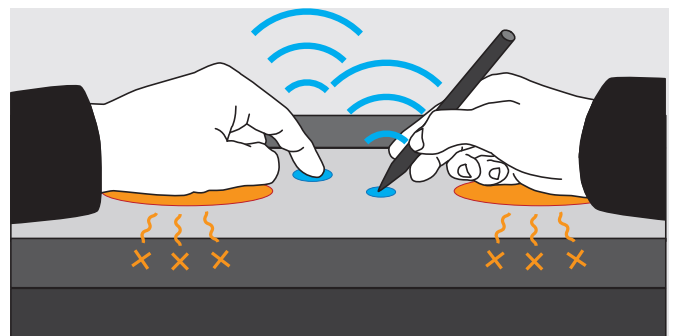
### Projected Capacitive Touch Panel

The DuraVision FDF2382WT, FDF2182WT and FDS1782T feature projected capacitive (PCAP) touch technology which is more durable and reliable compared to other touch technologies. Both monitors accept touch input from a bare finger or dedicated stylus.



### Multitouch Operation

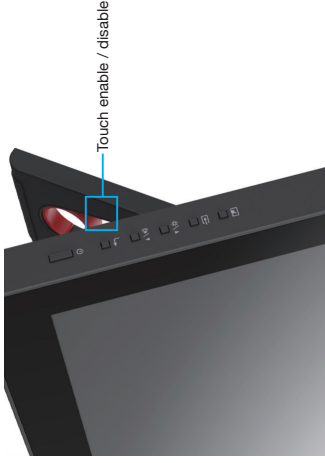
The screen can detect up to 10 simultaneous touches so you can easily operate a variety of applications in almost any environment. Furthermore, compared to 5-point multitouch the screen has a higher touch sensitivity, making writing with a finger or stylus smoother. The monitors are equipped with palm rejection which allows you to rest your hand directly on the screen without causing any unintended touch input.



*Palm rejection minimum activation area is 2 x 2 cm for FDF2382WT / FDS1782T and 4 x 4 cm for FDF2182WT.*

### Touch Detection Control

Users can easily turn touch detection on or off by pushing the button conveniently located on the monitor's side.



### Sensitivity Calibration

The monitors are equipped with technology which calibrates the touch sensitivity to minimize incorrect touch response due to environmental factors and electromagnetic noise. This ensures that the screen maintains accurate touch interaction during use.

### Fully Flat Design

The fully flat surface provides a seamless touch experience to the edges of the screen. This makes swiping motions and scrolling a breeze. The smooth surface also allows for easy cleaning.



### Flicker-Free Viewing

Due to the way brightness is controlled on LED backlights, a small number of people perceive flicker which causes eye fatigue. The monitors relieve eye fatigue by regulating brightness to make flicker unperceivable.

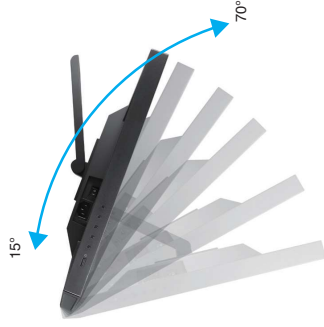


### High Durability

The touch screens have a non-scratch surface made of reinforced glass, making them durable enough to withstand long-term use in a range of environments.

### Reclining Stand

The equipped stand provides flexible positioning to allow the monitor to rest on your desk like a laptop and recline back to your desired angle. This makes it easy to place the monitor in the ideal position for comfortable use in any environment.



### Complete Connection

The monitors are equipped with a range of connectivity options which are conveniently located on the side for easy access.

### fdf2382wt / fds1782t



### fdf2182wt

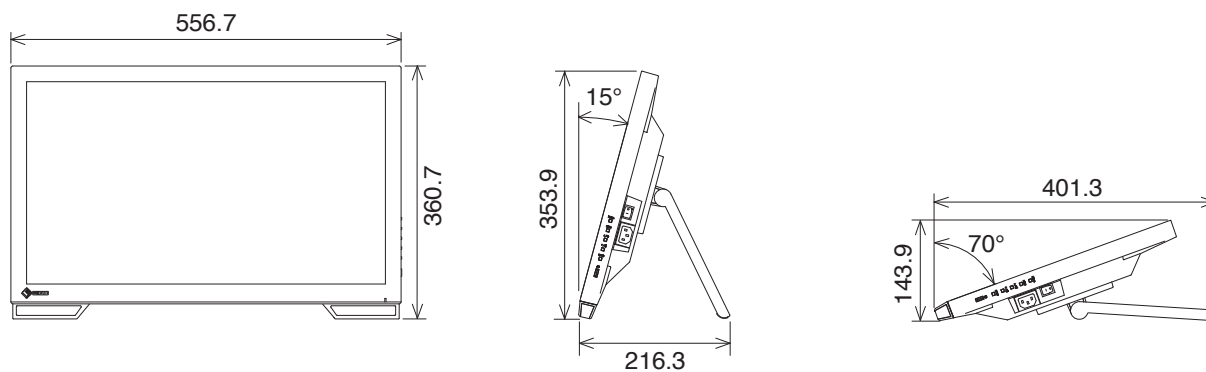


### Specifications

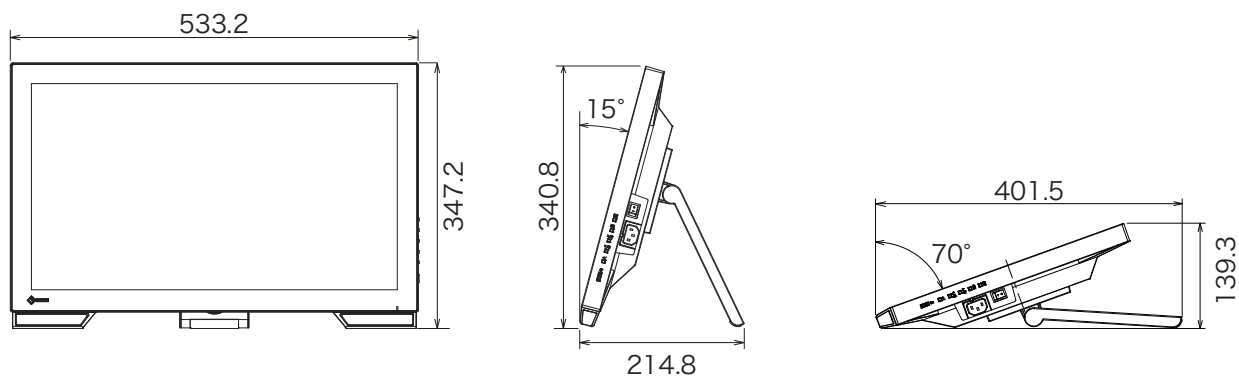
Model	fdf2382wt	fdf2182wt	fds1782t
Product Image			
Media Variations	With Stand, Without Stand	With Stand, Without Stand	With Stand, Without Stand
Cabinet Color	Gray, Black	Gray, Black	Gray, Black
Panel	IPS	VA	IPS
Backlight	LED	LED	LED
Size	27" / 68.6cm	21.5" / 54.7cm	17" / 43cm
Native Resolution	1920 x 1080 (16:9 aspect ratio)	1920 x 1080 (16:9 aspect ratio)	1280 x 1024 (5:4 aspect ratio)
Viewable Image Size (H x V)	509.2 x 286.4 mm	476.6 x 268.1 mm	337.9 x 270.3 mm
Pixel Pitch	0.265 x 0.265 mm	0.248 x 0.248 mm	0.264 x 0.264 mm
Display Colors	16.77 million	8.37 million	16.77 million
Viewing Angles (H/V, typical)	178° / 178°	178° / 178°	178° / 178°
Brightness (typical)	280 cd/m <sup>2</sup>	230 cd/m <sup>2</sup>	350 cd/m <sup>2</sup>
Contrast Ratio (typical)	1000:1	5000:1	1000:1
Response Time (typical)	11 ms (gray-to-gray)	25 ms (black-to-white-black)	11 ms (gray-to-gray)
Type	Projected Capacitive	Projected Capacitive	Projected Capacitive
Communication Protocol	USB	USB	USB
Surface Hardness	5H	7H	5H
Compatible OS	Windows 10, 8.1 (64-bit, 32-bit)	Windows 10, 8.1 (64-bit, 32-bit)	Windows 10, 8.1 (64-bit, 32-bit)
Input Terminals	DisplayPort (HDCP 1.3), DVI-D (HDCP 1.4), D-Sub mini 15 pin	DisplayPort (HDCP 1.3), HDMI (HDCP 1.4), D-Sub mini 15 pin	DisplayPort (HDCP 1.3), DVI-D (HDCP 1.4), D-Sub mini 15 pin
Digital Scanning Frequency (H/V)	DVI: 31-64 kHz, 59-61 Hz (GA Text: 69-71 Hz) DisplayPort: 31-60 kHz, 59-61 Hz (GA Text: 69-71 Hz)	DisplayPort: 31-64 kHz, 59-61 Hz (GA Text: 69-71 Hz) HDMI: 31-60 kHz, 59-61 Hz (GA Text: 69-71 Hz)	DisplayPort: 31-64 kHz, 59-61 Hz (GA Text: 69-71 Hz) HDMI: 31-60 kHz, 59-61 Hz (GA Text: 69-71 Hz)
Analog Scanning Frequency (H/V)	31-61 kHz, 55-76 Hz	31-61 kHz, 55-76 Hz	31-61 kHz, 55-76 Hz
Sync Formats	Separate	Separate	Separate
USB	USB 2.0, Type-B USB 3.1 Gen 1, Type-A x 2 USB 2.0, Type-A x 2	USB 3.1 Gen 1, Type-B USB 3.1 Gen 1, Type-A x 2 USB 2.0, Type-A x 2	USB 2.0, Type-A x 2 USB 3.1 Gen 1, Type-A x 2
Audio	1.0 W + 1.0 W	1.0 W + 1.0 W	1.0 W + 1.0 W
Speakers	Stereo mini jack, DisplayPort	Stereo mini jack, DisplayPort, HDMI	Stereo mini jack, DisplayPort
Input Terminals	Stereo mini jack	Stereo mini jack	Stereo mini jack
Output Terminals	-	-	-
Power Requirements	AC 100-240 V, 50 / 60 Hz	AC 100-240 V, 50 / 60 Hz	AC 100-240 V, 50 / 60 Hz
Maximum Power Consumption	42 W	41 W	37 W
Typical Power Consumption	14 W	10 W	10 W
Power Save / Standby Mode	Less than 0.7 W	Less than 0.7 W	Less than 0.7 W
Presets Modes	User1, User2, sRGB	User1, User2, sRGB	User1, User2, sRGB
Physical Specifications	556.7 x 143.9-353.97 x 216.3-401.3 mm	533.2 x 139.3-340.8 x 214.8-401.5 mm	391.8 x 142.5-346 x 214.9-400.4 mm
Dimensions (Landscape, W x H x D)	556.7 x 339.2 x 54 mm	533.2 x 325.7 x 54 mm	391.8 x 331 x 54 mm
Dimensions (Without Stand, W x H x D)	6.6 kg / 14.5 lbs	5.6 kg / 12.3 lbs	4.8 kg / 10.6 lbs
Net Weight	6.6 kg / 13.2 lbs	5.1 kg / 11.2 lbs	4.3 kg / 9.5 lbs
Hole Spacing (VESA Standard)	15°-70°	15°-70°	15°-70°
Operating Temperature (R.H. non-condensing)	20-80%	20-90%	20-80%
Operating Humidity	5-35°C	5-40°C	5-35°C
Certifications & Standards (Please contact B2O for the latest information.)	CE, CF, TÜVUS, FCC-B, CANICES3 (B), VCCI-B, EMI, COC-ROH, EAC, RoHS, WEEE, China RoHS	CE, CF, TÜVUS, FCC-B, CANICES3 (B), TÜVUS, PSE, VCCI-B, COC-ROH, EAC, RoHS, WEEE, China RoHS	CE, CF, TÜVUS, FCC-B, CANICES3 (B), TÜVUS, PSE, VCCI-B, COC-ROH, EAC, RoHS, WEEE, China RoHS
Supplied Accessories (May vary by country, Please contact B2O for details)	AC power cord (2 m), USB Type-A-USB Type-B cable (1.8 m), Audicable (2.1 m), Cleaning cloth, CD-ROM (PDF-user's manual, Touchpanel driver, IPOIset), Mask Sheet, Setup guide	AC power cord (2 m), USB Type-A-USB Type-B cable (2 m), Audicable (2.1 m), Cleaning cloth, CD-ROM (PDF-user's manual, Touchpanel driver, IPOIset), Mask Sheet, Setup guide	AC power cord (2 m), USB Type-A-USB Type-B cable (1.8 m), Audicable (2.1 m), Cleaning cloth, CD-ROM (PDF-user's manual, Touchpanel driver, IPOIset), Mask Sheet, Setup guide
Warranty	3 years	3 years, 24-hour use	3 years

Dimensions (Unit: mm)

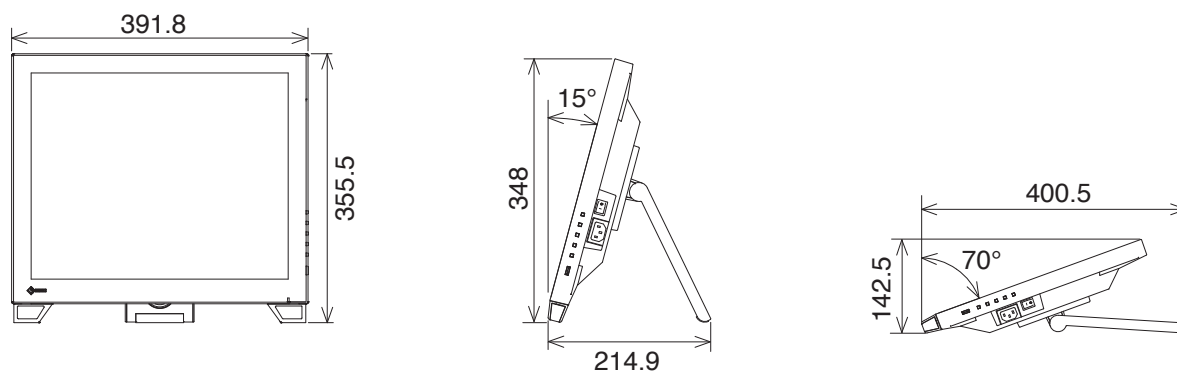
FDF2382WT



FDF2182WT



FDS1782T



 UniKomp.pl

Nowe Technologie IT

ul. Dworcowa 8  
43-200 Pszczyna  
sklep@unikomp.pl  
www.wyswietlanie.pl

Telefony  
(32) 210 22 11  
(32) 326 33 00  
(32) 212 88 22

EIZO, the EIZO logo, and DuraVision are registered trademarks of EIZO Corporation in Japan and other countries. The terms HDMI and HDMI High-Definition Multimedia Interface, and the HDMI Logo are trademarks or registered trademarks of HDMI Licensing, LLC in the United States and other countries. All other company names, product names, and logos are trademarks or registered trademarks of their respective companies.