

FEATURES

- Universal VESA compatibility
- Adjustable wall extension from 150 to 700 mm
- Supporting heavy displays up to 120 kg
- Adjustable Tilt Angle from -10° to +10°
- Vertical and horizontal position of the screen

PRODUCT SPECIFICATION

Dimensions (HxWxD)	Weight	Max capacity	Colour	Packaging dimensions
700x850x520 mm	25 kg	120 kg	black silver	870x500x200 mm



TECHNICAL



min.
100x100
max.
600x400
mm



42"-90°



120 kg



0°/90°



min.
100x100 mm
max.
600x450
mm



min.
150 mm
max.
700 mm



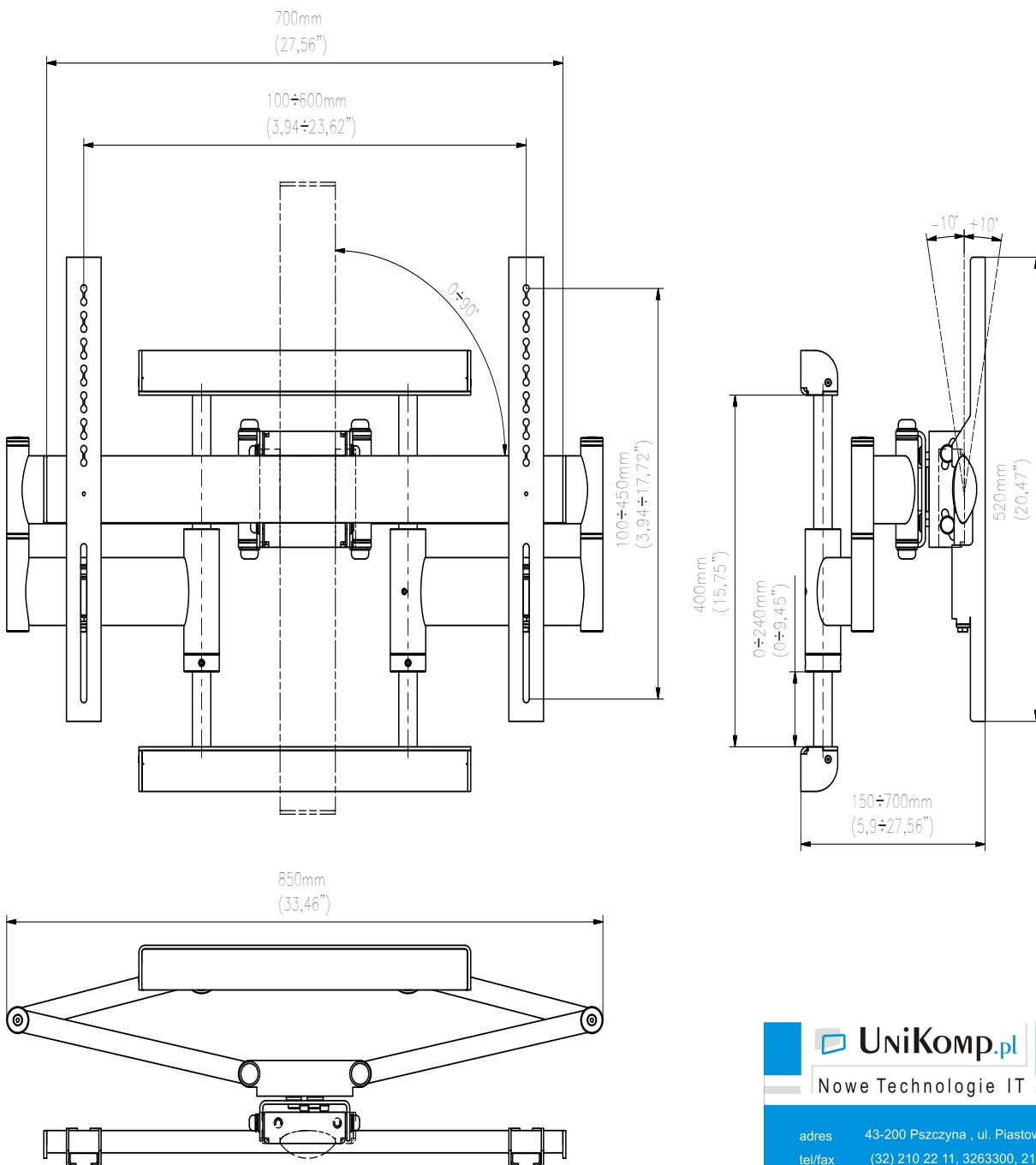
-10°/+10°



PRODUCT SPECIFICATION

Dimensions (HxWxD)	Weight	Max capacity	Colour	Packaging dimensions
700x850x520 mm	25 kg	120 kg	black silver	870x500x200 mm

TECHNICAL DRAWINGS



UniKomp.pl
 Nowe Technologie IT

adres 43-200 Pszczyna , ul. Piastowska 9
 tel/fax (32) 210 22 11, 3263300, 2128822
 e-mail biuro@unikomp.pl
 internet www.unikomp.pl