



TP-580R

4K60 4:2:0 HDMI HDCP 2.2 Receiver with RS-232 & IR over Long-Reach HDBaseT

| HDMI | Ethernet - RJ-45 | HDBaseT
| 4K/60 UHD (4:2:0) | HDCP 2.2 Compatible



TP-580R is a high-performance, long-reach HDBaseT receiver for 4K60Hz (4:2:0) HDMI, RS-232 and IR signals over twisted pair. It extends video signals to up to 40m (130ft) over CAT copper cables at up to 4K@60Hz (4:2:0) 24bpp video resolution and provides even further reach for lower HD video resolutions

FEATURES

High Performance Standard Extender - Professional HDBaseT extender for providing long-reach signals over twisted-pair copper infrastructures. TP-580R is a standard extender that can be connected to any market-available HDBaseT-compliant extension product. For optimum extension reach and performance, use recommended Kramer cables

HDMI Signal Extension - HDCP 2.2 compliant. Supports deep color, x.v.Color™, lip sync, HDMI uncompressed audio channels, Dolby TrueHD, DTS-HD, 2K, 4K, and 3D as specified in HDMI 2.0. EDID and CEC signals are passed through from the source to the display

I-EDIDPro™ Kramer Intelligent EDID Processing™ - Intelligent EDID handling, processing and pass-through algorithm that ensures Plug and Play operation for HDMI source and display systems

Multi-channel Audio Extension - Up to 32 channels of digital stereo uncompressed signals for supporting studio-grade surround sound

Bidirectional RS-232 Extension - Serial interface data flows in both directions, allowing data transmission and device control

Bidirectional Infrared Extension - IR interface data flows in both directions, allowing remote control of peripheral devices located at either end of the extended line

Cost-effective Maintenance - Status LED indicators for HDMI and HDBT ports facilitate easy local maintenance and troubleshooting. Local firmware upgrade via RS-232 connection and the K-Upload tool ensures lasting, field-proven deployment

Easy Installation - Compact DigiTOOLS® fan-less enclosure for dropped-ceiling mounting, or side-by-side mounting of 3 units in a 1U rack space with the recommended rack adapter

 UniKomp.pl

Nowe Technologie IT

ul. Dworcowa 8
43-200 Pszczyna
sklep@unikomp.pl
www.wyswietlanie.pl

Telefony
(32) 210 22 11
(32) 326 33 00
(32) 212 88 22

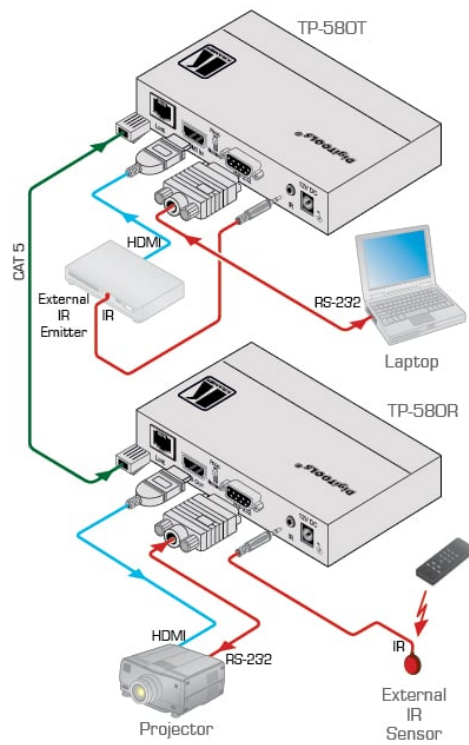


kramer

TECHNICAL SPECIFICATIONS

INPUTS:	1 HDBT on an RJ-45 female connector
OUTPUTS:	1 HDMI on an HDMI connector
PORTS:	1 IR on a 3.5mm mini jack for IR link extension, 1 RS-232 on a 9-pin D-sub connector for serial link extension and device firmware upgrade
EXTENSION LINE::	HDBaseT 1.0 compliant; Up to 40m (130ft) at 4K @60Hz (4:2:0); up to 70m (230ft) at full HD (1080p @60Hz 36bpp); Note: When using Kramer HDBaseT cables
VIDEO:	Up to 10.2Gbps bandwidth (3.4Gbps per graphic channel) Up to 4K UHD @60Hz (4:2:0) 24bpp resolution HDCP 2.2 signal compliance Supports deep color, x.v.Color™, lip sync, HDMI uncompressed audio channels, Dolby TrueHD, DTS-HD, 2K, 4K, and 3D as specified in HDMI 2.0
EXTENDED RS-232:	300 to 115200 baud rate
CONTROL RS-232:	115200 baud rate
POWER SOURCE:	12V DC, 2A
POWER CONSUMPTION:	12V DC, 430mA
ENCLOSURE:	DigiTOOLS® size, aluminum type
COOLING:	Convection ventilation
OPERATING TEMPERATURE:	0° to 40°C (32° to 104°F)
STORAGE TEMPERATURE:	-40° to +70°C (-40° to 158°F)
HUMIDITY:	10% to 90%, RHL non-condensing
INCLUDED ACCESSORIES:	Power supply unit
Product Dimensions	12.00cm x 7.15cm x 2.44cm (4.72" x 2.81" x 0.96") W, D, H
Product Weight	0.2kg (0.4lbs) approx
Shipping Dimensions	49.00cm x 18.60cm x 58.80cm (19.29" x 7.32" x 23.15") W, D, H
Shipping Weight	0.7kg (1.6lbs) approx





 UniKomp.pl

Nowe Technologie IT

ul. Dworcowa 8
43-200 Pszczyna
sklep@unikomp.pl
www.wyswietlanie.pl

Telefony
(32) 210 22 11
(32) 326 33 00
(32) 212 88 22