

RMSA1

HEAVY DUTY SWING ARM WALL MOUNT

FOR 42"-90" SCREENS

The RMSA1 heavy swing arm wall mount is dedicated to big screens ranging from 42" to 90". Three rotation axes allow any adjustment of the screen position landscape. The possibility of tilting the screen by $-10^{\circ}/+10^{\circ}$ and 180° right-left screen rotation allow the screen position to be adjusted to suit to the user's needs and improve the comfort of use.



FEATURES

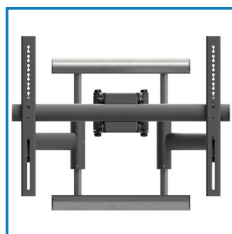
- Modern design and high-end aesthetics
- Option of landscape or portrait
- Screen adjustment: 3 rotation axes
- Possibility of screen tilting by -10° to $+10^{\circ}$
- 180° right-left screen rotation
- Maximum load capacity of 120 kg
- Adjustable distance from the wall from 174 to 707 mm
- VESA universal standard
- Integrated cable management system

PRODUCT SPECIFICATIONS

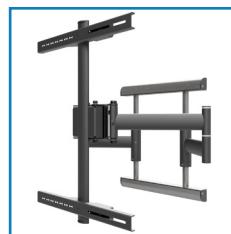
Short index	RMSA1
Category	Swing Arms Wall Mounts
Product group	Display Mounts
Colour	Black
Warranty	Limited 5-years
Number of screens	1
Minimum screen size	42"
Maximum screen size	90"
Maximum load	120 kg
Arm rotation	90°
Left-right rotation	180°
Forward tilting	$-10^{\circ}/+10^{\circ}$
VESA Mounting Compatibility	200x200 up to 600x400



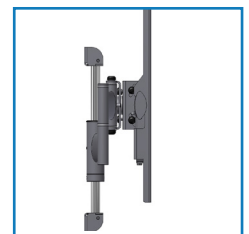
Possibility of screen tilting by -10° to $+10^{\circ}$



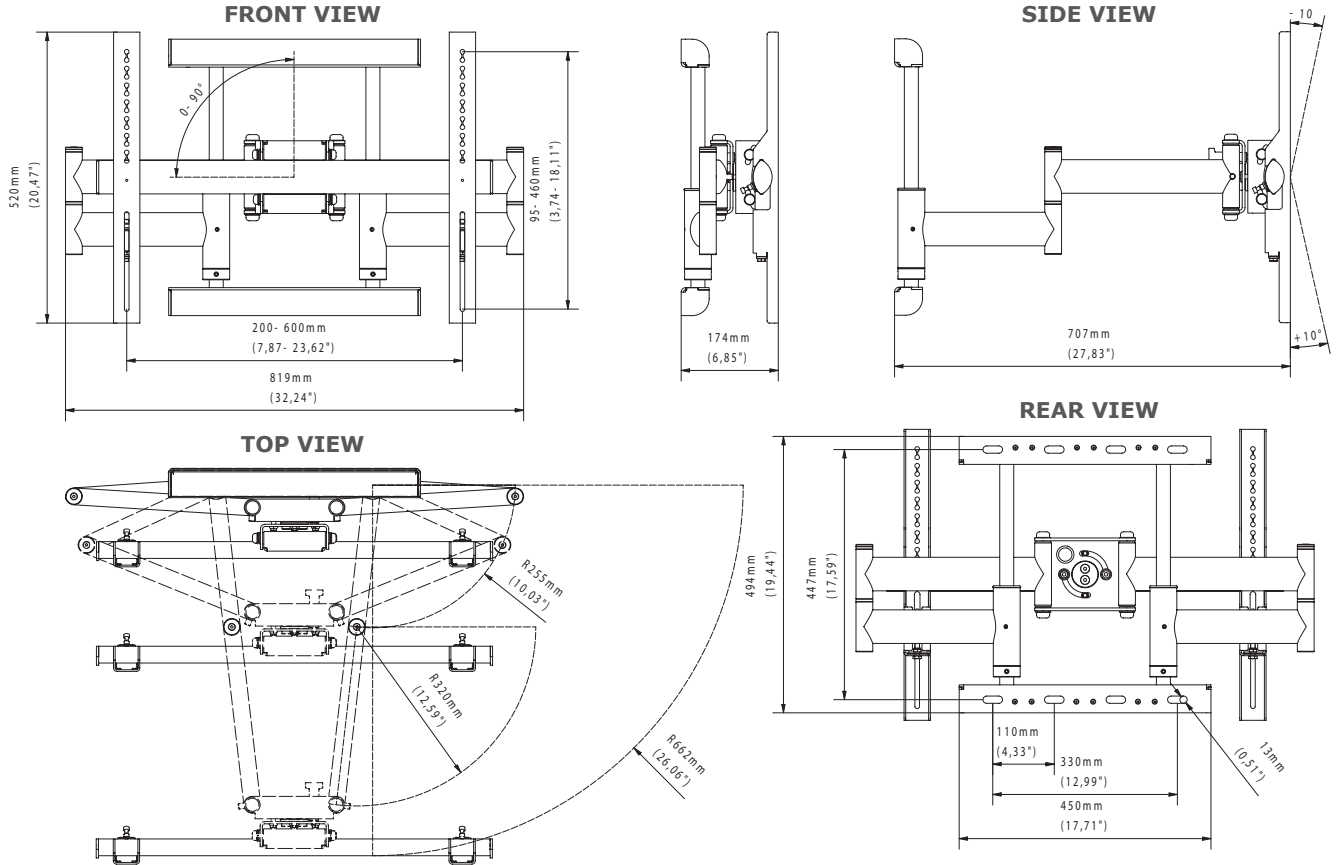
Option of landscape or portrait



180° right-left screen rotation



Adjustable distance from the wall from 174 to 707 mm



TECHNICAL SPECIFICATIONS

Product dimensions	W: 819 mm D: 174 mm H: 520 mm (W: 32,24" D: 6,85" H: 20,47")
Product weight	21,5 kg 47 lb
Max. distance from mounting surface	707 mm (27,83")
Min. distance from mounting surface	174 mm (6,85")
Max. mounting pattern	600 mm x 460 mm
Min. mounting pattern	200 mm x 95 mm

LOGISTICS DATA

SAP INDEKS	EAN CODE	COLOUR	PACKAGE DIMENSIONS	PACKAGE WEIGHT
WUSC-RMSA1	5908252968664	BLACK	850 mm x 520 mm x 160 mm (33,46" x 20,47" x 6,30")	22 kg (49 lb)

HS Code (Harmonized System): 732690, HTS Code (Harmonized Tariff Schedule): 7326909890, Country of Origin: Poland

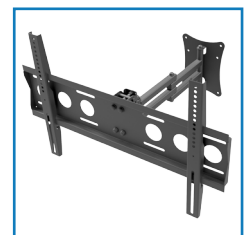
ACCESSORIES AND RELATED PRODUCTS



RPWS1



VSM654



PWS1