

VC-G30 High Definition Video Camera

Lumens[™]
Brilliance by Design

The Lumens[™] VC-G30 HD Pan/Tilt/Zoom (PTZ) camera is equipped with a professional 1/2.8 inch image sensor with Full HD 1080p output resolution at a high dynamic rate of 60 frames per second. The superior 15x optical zoom lens, excellent white balance, and exposure mode delivers a clear image even in low light or the extreme contrast of brightness and darkness of a conference room. The camera covers a wide shooting angle and utilizes a highly efficient motor control to achieve high-speed, quiet, and precise positioning with smooth PTZ operations. The VC-G30 supports 3G-SDI, DVI, component, and C-Video interfaces to allow four simultaneous image outputs with the best possible image quality and is compatible with all video equipment. There are up to 128 preset settings and stable remote controlling for effective and efficient presentations. The VC-G30 is ideally suited for lecture recording, video conferencing, and security surveillance systems to deliver a continuous, clear and vivid live image without any distortions.

Key Features

- Full HD 1080p supported high definition signal output format
- High frame rate supporting 60 frames per second
- Up to 128 user defined preset modes to allow for ease of use in all environments
- 180 times variable zoom ratio (15x optical zoom with 12x digital zoom)
- 3G-SDI, DVI, Component, C-Video synchronous image output
- Maximum horizontal/vertical speed of rotation: 120° / sec
- Wide Pan/Tilt/Zoom mechanism:
Horizontal viewing angle: -170° to +170°
Tilting angle up to 90°, and down to -30°
- Fast response delivers extremely clear image without blurs high speed, stable, quiet, and positioning precisely ensures image quality
- Compatible with major video conferencing and lecture capture codec



More Details

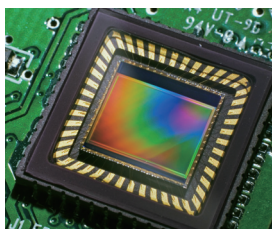


Image Quality

The VC-G30 is equipped with a professional 1/2.8 inch image sensor with Full HD 1080p output resolution providing high color reproduction, high definition quality, and crystal-clear images.



Wide Range Pan/Tilt/Zoom Action

The high efficient motor controls a wide shooting area (pan angle: from -170° to +170° ; tilt angle from -30° to +90°), as well as quiet, fast, and precise positioning movements.



Multiple Signal Formats

The VC-G30 is able to switching video output formats from Full HD 1080p, 720p, and SD for compatibility in various display devices.



3G-SDI Interface

The VC-G30 supports 3G-SDI standard interface for transmitting uncompressed digital video signals without any delay up to a distance of 500 feet.



128 Position Presets

The VC-G30 has up to 128 preset settings for pan, tilt, zoom, focus, exposure and white balance to allow for more effective and efficient video conferencing.



RS-232/422 Remote Control

With the VC-G30 camera settings and PTZ control functions can be performed remotely at any location and at high communication speeds via the RS-232/422 interface.



Friendly Interface

The simple operation with the Lumens™ infrared controller allows the VC-G30 to achieve pan, tilt, zoom, focus, and other functions easily.



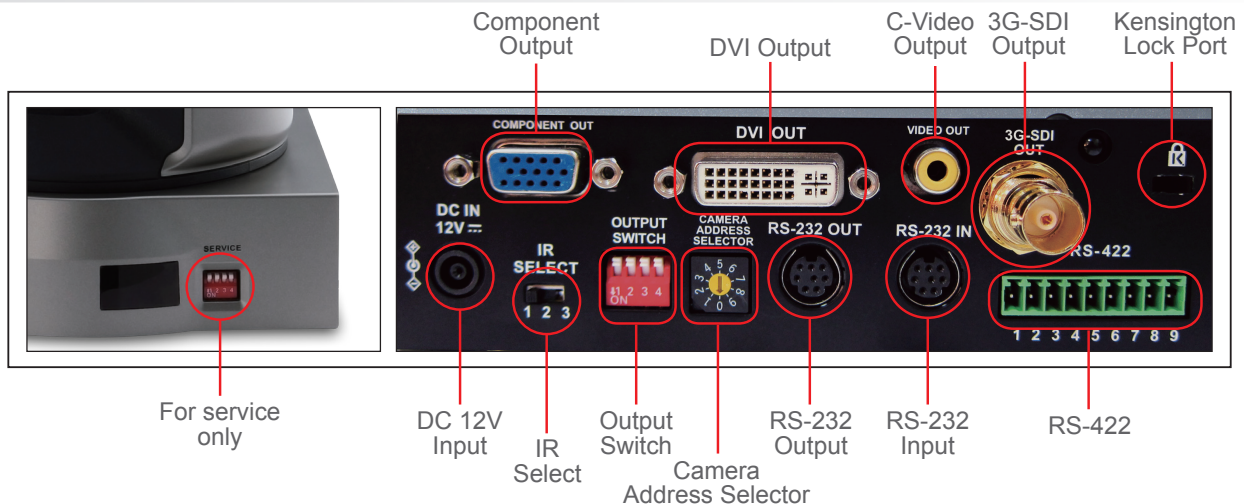
Image Flip

The VC-G30 has built-in image flip and mirror functions to allow for various installations on a desktop or ceiling.

Product Specifications

Sensor	1/2.8" 2 MP CMOS	Shutter Speed	1/1 ~ 1/10,000 sec
Video Output	1080p 60 / 59.94 / 50 / 30 / 29.97 fps, 1080i 50 / 60 fps, 720p 60 / 59.94 / 50 fps, 720p 30 / 25 fps, NTSC / PAL	Focal Length	f = 4.7 ~ 70.5 mm
Optical Zoom	15x	Horizontal Viewing Angle	63°
Panning Angle	-170° ~ +170°	Aperture	F1.6 ~ 3.5
Tilting Angle	-30° ~ +90°	Minimum Illumination	5 lux
Preset Positions	128	Minimum Object Distance	100(Wide) ~ 1000(Tele) mm
Video Output(HD) Interface	Component, DVI, 3G-SDI	Digital Zoom	12x
Video Output(SD) Interface	CVBS (C-Video)	Gain Control	Auto, manual
Camera Control Interface/Protocol	RS-232 / RS-422	White Balance	Auto, indoor, outdoor, one-push, manual
Video S/N Ratio	> 50dB	Exposure Control	Auto, manual
		Focus System	Auto, manual
		Image Flip	Yes
		Weight	4.4 lbs (2.0 kg)
		Dimension (W x D x H)	6.9" x 7.3" x 7.2" (174 x 186 x 182.7 mm)

I/O CONNECTIONS



LumensTM
Brilliance by Design
www.MyLumens.com

Lumens Integration, Inc.
4116 Clipper Court
Fremont, CA. 94538
Phone : 888.542.3235
Fax : 510.252.1389

Lumens Europe
Stationstraat 5
1730 Asse, Belgium
Phone : +32 (0) 2 452 76 00
Fax : +32 (0) 2 452 76 00