



# BT8428

## BACK-TO-BACK FLAT SCREEN CEILING MOUNT WITH TILT INSTALLATION GUIDE & PARTS LIST

This Pack Contains 1 Ceiling Mount

PLEASE KEEP THIS FOR FUTURE REFERENCE

**UniKomp.pl**  
Nowe Technologie IT

adres 43-200 Pszczyna, ul. Piastowska 9  
tel/fax (32) 2102211, 3263300, 2128822  
e-mail sklep@unikomp.pl  
internet www.wyswietlanie.pl



### FEATURES

- Designed for two screens up to 65" (165cm)
- Max load: 50kg (per screen)
- Suitable for screens with mounting patterns up to VESA® 600 x 400mm
- Unique 'Torsion Tilt' adjustment: +/-15°
- Includes Ø50mm extension pole
- Can mount screens in a landscape or portrait orientation
- Pole can be tilted for mounting on angled ceilings
- Integrated cable management
- Post installation screen alignment
- Height adjusting levelling screws for perfect screen positioning
- Safety screws help prevent unauthorised removal of screens



European Trademark Number: 001713280-0036

Per Screen

### CONTENTS

Installation Safety Notes.....	2
Parts List.....	4
Installations Instructions.....	6
Product Dimensions.....	15
B-Tech Contact Details.....	16

### TOOLS REQUIRED

Spanner  
or socket



Crosshead  
screwdriver



Drill



Pencil



**B-TECH AUDIO VIDEO MOUNTS**

[www.btechavmounts.com](http://www.btechavmounts.com)

# INSTALLATION SAFETY INSTRUCTIONS



**CAUTION:** This mount is intended for use only with the maximum weights indicated. Use with flat screens heavier than the maximum indicated may result in instability causing possible injury.

Do not attempt to install this product until all instructions and warnings have been read and properly understood. Please keep these instructions for future reference. Please check carefully to make sure there are no missing or defective parts - defective parts must never be used. B-Tech International Design and Manufacturing Limited, its distributors and dealers are not liable or responsible for damage or injury caused by improper installation, improper use or failure to observe these safety instructions. In such cases, all guarantees will expire.

## **General**

B-Tech International Design and Manufacturing Limited recommends that a professional AV installer or other suitably qualified person install this product. Great care must always be taken during installation as most AV equipment is of a fragile nature, possibly heavy and easily damaged if dropped. If you do not fully understand the instructions or are not sure how to install this product safely, then please consult a professional for advice and/or to install this product for you. Failure to mount this product correctly may cause serious injury or death both during installation and at any time thereafter. Do not mount any AV equipment that exceeds the specific weight limit of the product you are installing. This weight limit will be clearly stated on each product and its packaging and will vary from product to product.

## **Product location**

Please pay careful attention to where this product is located. Check load capacity of ceiling prior to installation as some ceilings are not suitable for installation. Designed for indoor use, this mount is suitable for public or home installation. If located in a public or frequently populated area ensure that the product is out of the immediate reach of people. If any AV equipment is to be suspended over the likely path or location of people then great care should be taken to secure all parts of the installation from falling. If you install this product on drywall it must be securely fixed to a wooden stud, concrete block or other permanent structure behind the drywall board. Installing on drywall boards alone will not support the weight of most AV equipment. When drilling holes in ceilings it is essential to avoid contact with electrical cables and water or gas pipes contained within. Use of a good quality live wire detector and hidden object locator is therefore recommended. Only drill into structures when you are sure it is safe to do so.

## **Fixing hardware**

In some cases AV equipment fixing hardware will be supplied to accommodate different models of equipment and set up configurations. The installer must be satisfied that any supplied fixing hardware is suitable for each specific installation. If any fixing screws or included hardware are deemed not sufficient for a safe installation then please consult a professional or your local hardware store.

## **Hazard limitation**

When routing cables take advantage of any built in cable management features that the product might provide and ensure that all cables are tidy and secure. Check to see that any moving aspect of the product can do so unhindered by any cabling. Some products have moving parts and the potential to cause injury through the crushing or trapping of fingers or other body parts. Particular attention to the nature of moving parts is required especially when assembling installing and adjusting during set up. Immediately after installations double-check that the work done is safe and secure. Double-check all necessary fixings are present and are of ample tightness. It is recommended that periodic inspections of the product and its fixing points are made as frequently as possible to ensure that safety is maintained. If in doubt consult a professional AV installer or other suitably qualified person.

CS

Společnost B-Tech International Design And Manufacturing Ltd. doporučuje provést instalaci tohoto produktu instalátora AV či jinak způsobilé osoby. Společnost B-Tech International Design And Manufacturing Ltd, její distributoři a prodejci nenesou prostřednictvím odborného odpov. édnost za škody nebo zranění způsobená nevhodnou instalací. Tento výrobek je nutno umístit do vhodné konstrukce a používat jen po uvedené maximální výšce.

DE

B-Tech International Design And Manufacturing Ltd. empfiehlt, dass dieses Produkt durch einen qualifizierten AV-Techniker oder eine andere Person mit geeigneter Qualifikation installiert wird. B-Tech International Design And Manufacturing Ltd, ihre Distributoren und Händler können nicht für durch fehlerhafte Montage verursachte Beschädigung oder Verletzung haftbar bzw. verantwortlich gemacht werden. Dieses Produkt muss auf eine geeignetem Untergrund montiert werden und darf nur bis zum angegebenen Höchstgewicht verwendet werden.

ES

B-Tech International Design And Manufacturing Ltd. recomienda que un instalador de audio y video profesional u otra persona debidamente cualificada instalen este producto. B-Tech International Design And Manufacturing Ltd, sus distribuidores y concesionarios no se hacen cargo ni se responsabilizan de ningún daño o lesión provocados por una instalación inapropiada. Este producto se debe montar en una estructura adecuada y se debe utilizar soportando solamente hasta el peso máximo indicado.

FR

B-Tech International Design And Manufacturing Ltd. recommande de confier l'installation de ce produit à un installateur AV professionnel ou à une autre personne dûment qualifiée. B-Tech International Design And Manufacturing Ltd, ses distributeurs et ses revendeurs ne sauraient être tenus responsables de tout dégât ou de toute blessure résultant d'une installation incorrecte. Ce produit doit être monté sur un support approprié et utilisé dans la limite du poids maximum indiqué.

IT

B-Tech International Design And Manufacturing Ltd. consiglia di affidare l'installazione di questo prodotto a un installatore specializzato o ad altra persona adeguatamente qualificata. B-Tech International Design And Manufacturing Ltd, i suoi distributori e rivenditori non accettano alcuna responsabilità nei riguardi di eventuali danni o infortuni causati da un'errata installazione. Questo prodotto deve essere fissato a una struttura idonea e utilizzato unicamente sino al peso massimo indicato.

NL

B-Tech International Design And Manufacturing Ltd. adviseert om dit product te laten installeren door een professionele AV-instalateur of andere hiervoor gekwalificeerde persoon. B-Tech International Design And Manufacturing Ltd, haar distributeurs en dealers zijn niet aansprakelijk of verantwoordelijk voor schade of letsel die is veroorzaakt door onoordeelkundige installatie. Dit product moet worden gemonteerd aan een geschikte constructie, waarbij het aangegeven maximum gewicht niet mag worden overschreden.

PL

Firma B-Tech International Design And Manufacturing Ltd. zaleca, aby ten produkt był instalowany przez profesjonalnych instalatorów AV lub inny odpowiednio przeszkolony personel. Firma B-Tech International Design And Manufacturing Ltd, jej dystrybutorzy i dealerzy nie ponoszą odpowiedzialności za uszkodzenia lub obrażenia ciała powstałe w wyniku nieprawidłowej instalacji. Niniejszy produkt musi być zamontowany na odpowiedniej powierzchni, a podczas u żytkowania nie wolno przekraczać podanego maksymalnego obciążenia.

PT

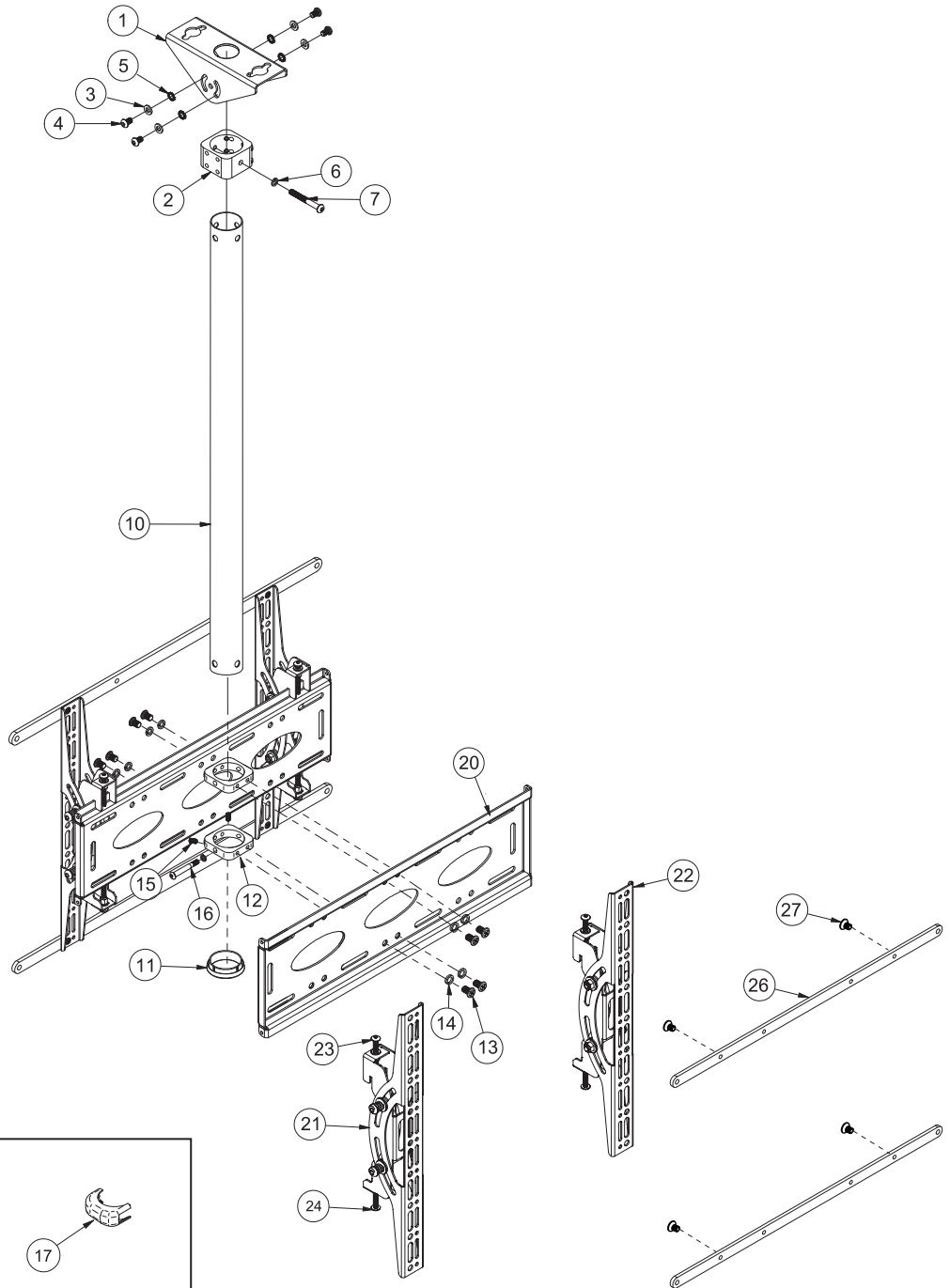
A B-Tech International Design And Manufacturing Ltd. recomenda que a instalação deste produto seja efectuada por um instalador de AV instalador de AV profissional ou outra pessoa devidamente habilitada. A B-Tech International Design And Manufacturing Ltd. e os seus distribuidores e concessionários não são responsáveis por danos ou lesões causados por uma instalação incorrecta. Este produto tem de ser montado numa estrutura adequada e utilizado somente até ao peso máximo indicado.

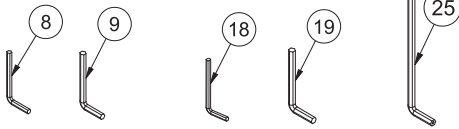
RU

Компания B-Tech International Design And Manufacturing Ltd. рекомендует, чтобы установка данного изделия производилась инженером по установке аудио-видеотехники или другим специалистом с соответствующей квалификацией. Компания B-Tech International Design And Manufacturing Ltd. ее дистрибьюторы и дилеры не несут ответственности за повреждения или травмы, полученные в результате неправильной установки. Данное изделие должно

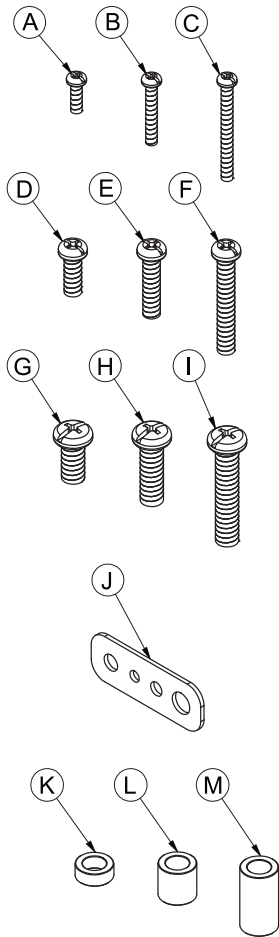
توصي بي- تك للتجارة الدولية المحدودة بأن شخص محترف في تركيب ال AV أو شخص مؤهل تأهيلا مناسباً لتركيب هذا المنتج. بي- تك للتجارة الدولية، موز عليها والتجار ليست عرضة أو مسؤولة عن الأضرار أو الإصابات الناجمة عن تركيب غير سليم، والاستخدام غير السليم أو عدم مراعاة هذه التعليمات للسلامة. يجب أن يتم تركيب هذا المنتج في بنية مناسبة ويجب استخدام فقط لدعم الحد الأقصى للوزن المشار إليه.

# BT8428 PARTS LIST





**FLAT SCREEN INTERFACE KIT**  
(for attaching mount to back of flat screen)



REF	PART NAME	QTY
<b>BT7808</b>		
1	CEILING PLATE	1
2	Ø50mm COLLAR (with GRUB SCREWS)	1
3	M8 METAL WASHER	4
4	M8 x 12mm SCREW	4
5	M8 LOCK WASHER	4
6	M8 SPRING WASHER	1
7	M8 x 65mm SAFETY BOLT	1
8	4AF HEX KEY	1
9	5AF HEX KEY	1
<b>BT7850</b>		
10	Ø50mm POLE	1
11	POLE END RING	1
<b>BT7052</b>		
12	Ø50mm COLLAR	2
13	M8 x 12mm SCREW	8
14	M8 SPRING WASHER	10
15	M8 x 15mm GRUB SCREW	4
16	M8 x 65mm SAFETY BOLT	2
17	COVERPLATE HALF ( <i>NOT REQUIRED</i> )	4
18	4mm HEX KEY	2
19	5mm HEX KEY	2
<b>BT8431</b>		
20	INTERFACE PLATE	2
21	INTERFACE ARM A	2
22	INTERFACE ARM B	2
23	LEVELLING SCREW	4
24	SECURITY SCREW	4
25	4AF HEX KEY	2
<b>BT7564</b>		
26	600mm ADAPTOR ARM	4
27	M8 x 16mm SCREW	8
<b>INTERFACE KIT</b>		
A	M4 x 12mm SCREW	8
B	M4 x 25mm SCREW	8
C	M4 x 40mm SCREW	8
D	M6 x 16mm SCREW	8
E	M6 x 25mm SCREW	8
F	M6 x 40mm SCREW	8
G	M8 x 16mm SCREW	8
H	M8 x 25mm SCREW	8
I	M8 x 40mm SCREW	8
J	MULTI WASHER	8
K	M6 x 12mm SPACER	8
L	M8 x 13mm SPACER	8
M	M8 x 25mm SPACER	8

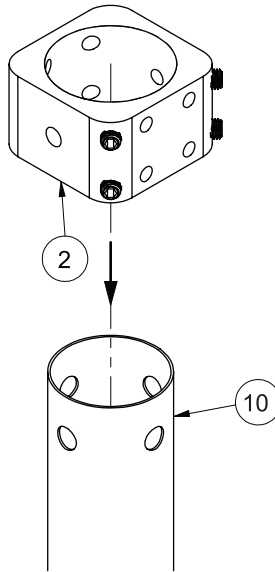
PLEASE KEEP THIS FOR FUTURE REFERENCE

# INSTALLATION INSTRUCTIONS

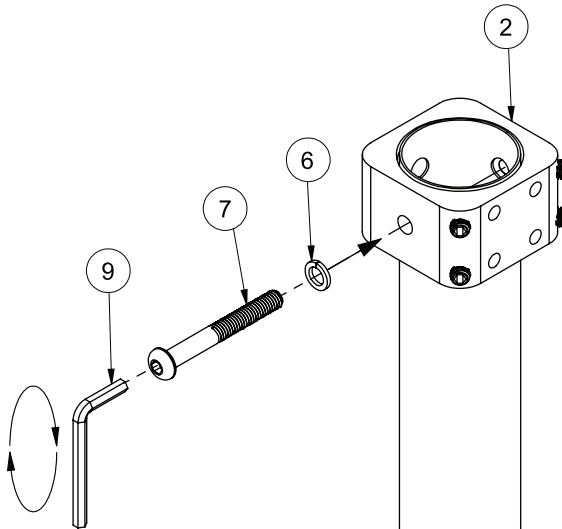
1

## Fix Collar to Pole

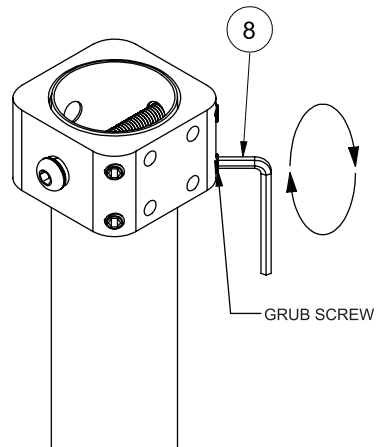
i. Place the collar (part 2) over the pole (part 10).



ii. Fit the collar (part 2) to the pole by using the M8 x 65mm safety bolt (part 7) and M8 spring washer (part 6). Tighten in place with the 5AF hex key (part 9).

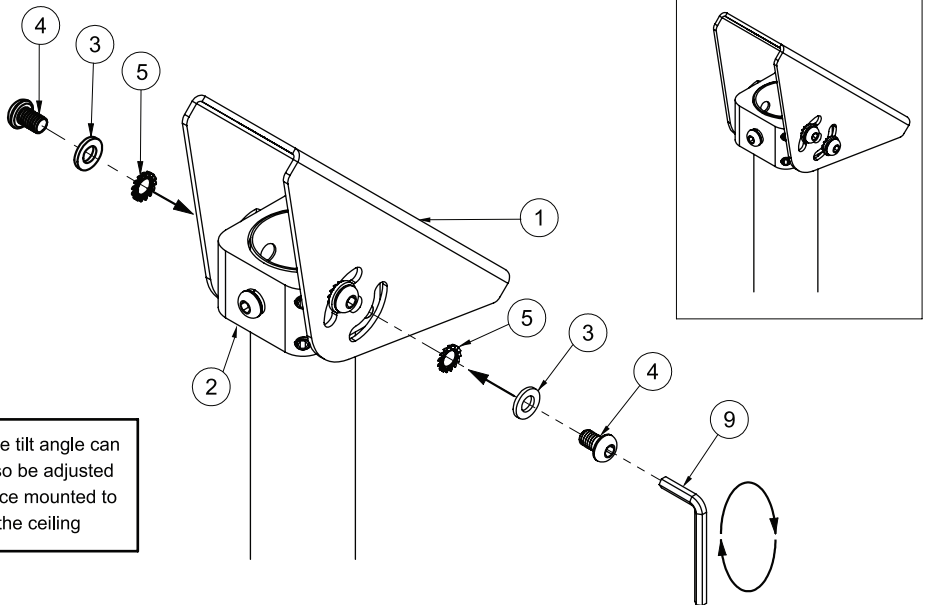
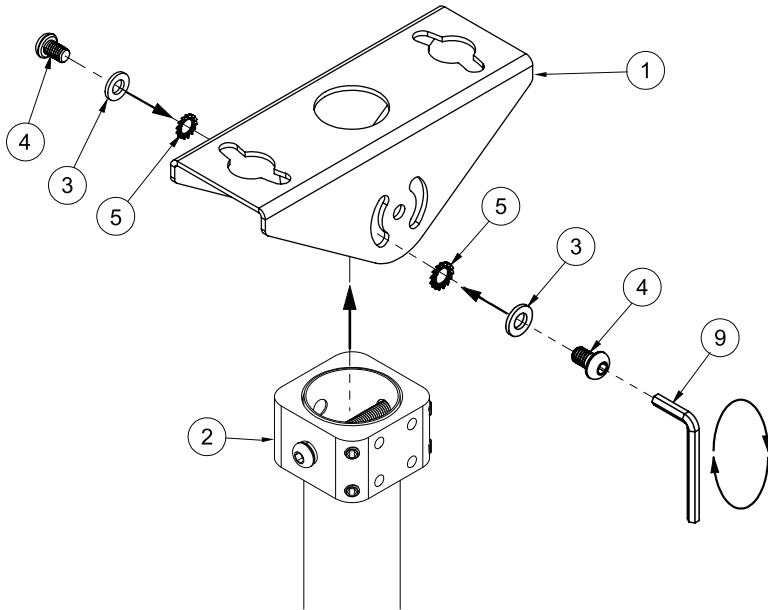


iii. Tighten the grub screws evenly to the pole using the 4AF hex key (part 8).



### Mount Pole and Collar to Ceiling Plate

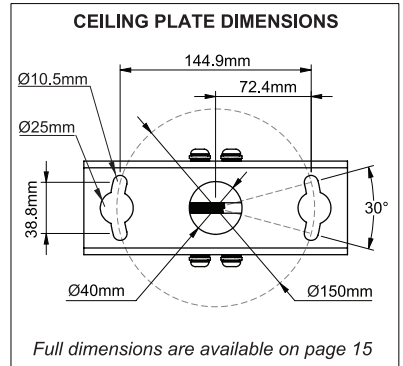
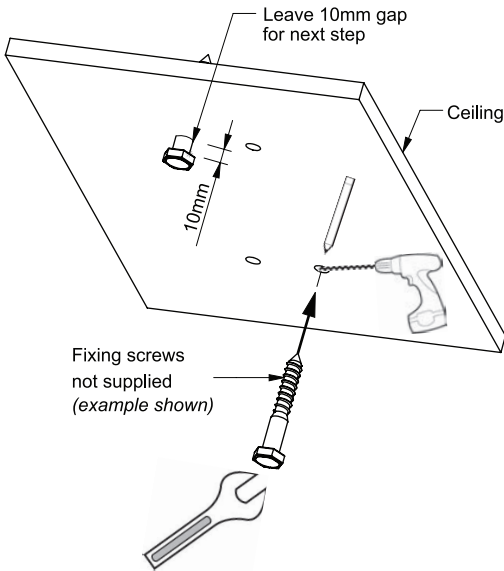
Set the required tilt angle by fitting the ceiling plate (part 1) to the collar (part 2) using the M8 lock washers (part 5), M8 washers (part 3) and M8 x 12mm screws (part 4). Tighten with the 5AF hex key (part 9).



The tilt angle can also be adjusted once mounted to the ceiling

### Mounting the Ceiling Plate to the Ceiling

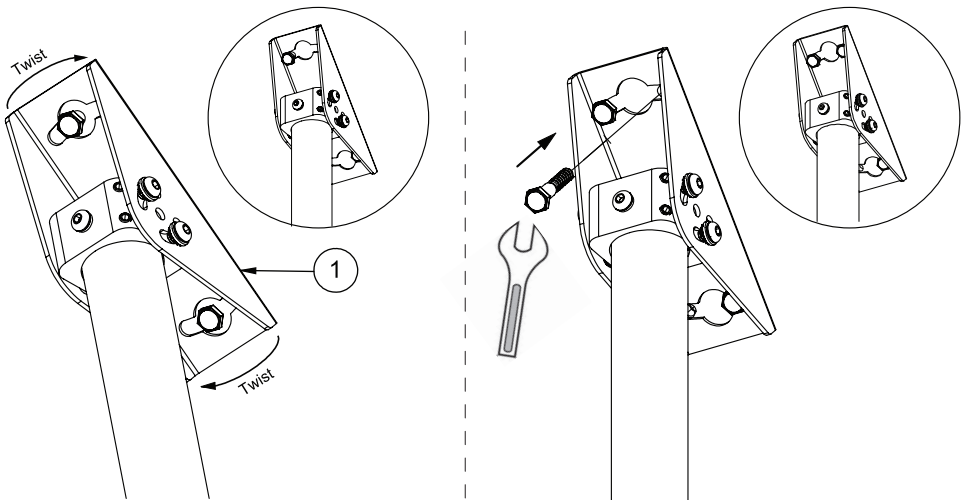
- i) Pre-drill 4 holes for the ceiling fixings (*not supplied*).
- ii) Assemble two fixing screws in place, corner to corner leaving a 10mm gap between the screw head and ceiling.



#### ⚠ IMPORTANT ⚠

Fixing screws are not included with this product. B-Tech highly recommends this product be installed by a suitably qualified person. The installer must be satisfied that the types of fixings used are suitable for the type of ceiling the product is to be mounted to. Care must be taken as to where this product is located, as some ceilings and walls are not suitable for installation. When drilling holes, knowledge must be obtained to avoid contact with any electrical cables and/or gas and water pipes contained within the ceiling or walls.

- iii) Hook the ceiling plate (part 1) onto the fixing screws and twist into position.
- iv) Assemble 2 more fixings screws and tighten to secure the ceiling plate.

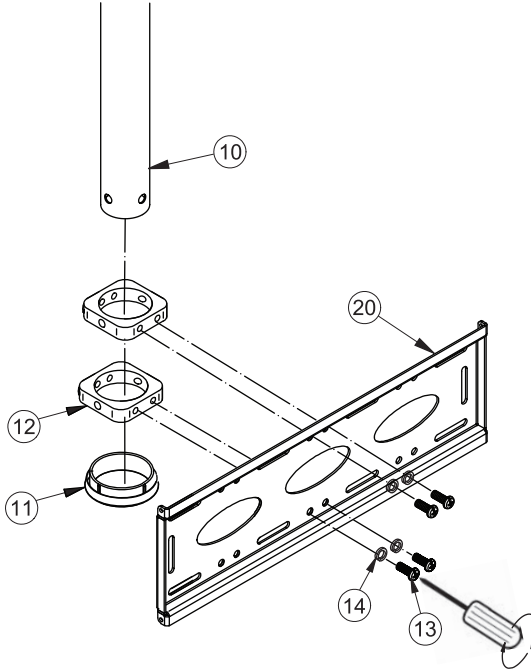




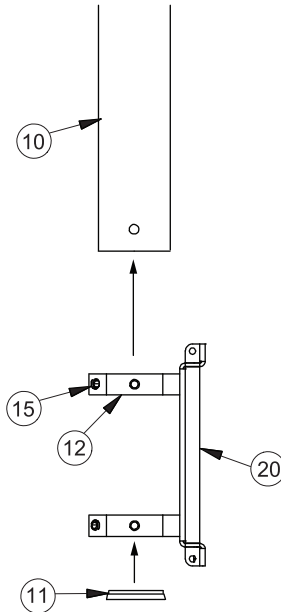
# 4

## Attach Interface Plates to the Pole

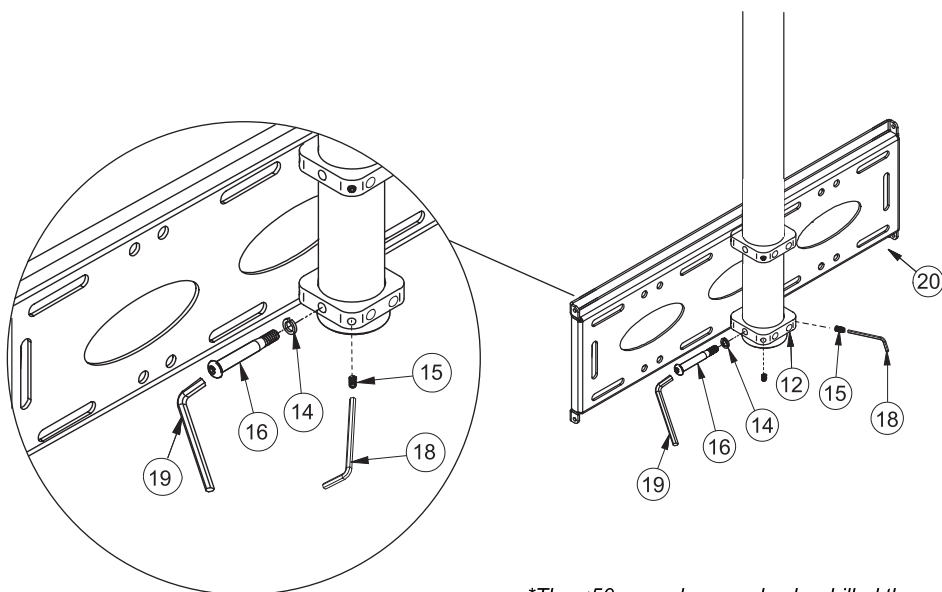
i. Attach one interface plate (part 20) to the front of the collars (part 12).



ii. Slide collars and interface plate onto the pole (part 10). Once collars are on the pole, add the pole end ring (part 11) to bottom of the pole.

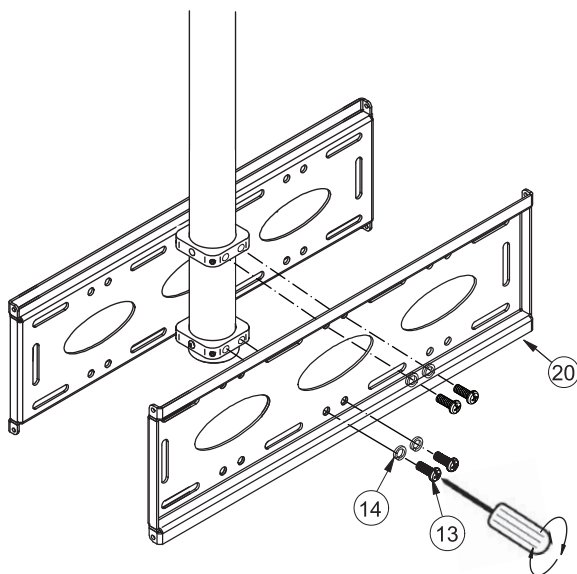


- iii. Once positioned on the pole, tighten the grub screws (part 15) on the back of the collars and using the existing holes\* on the end of the pole, insert the safety bolt (part 16) through the bottom collar.



*\*The  $\varnothing 50\text{mm}$  pole may also be drilled through to accommodate the safety bolt (part 16).*

- iv. Attach the second interface plate (part 20) to the collars on the pole.

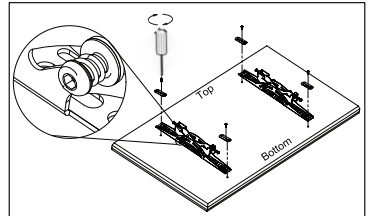
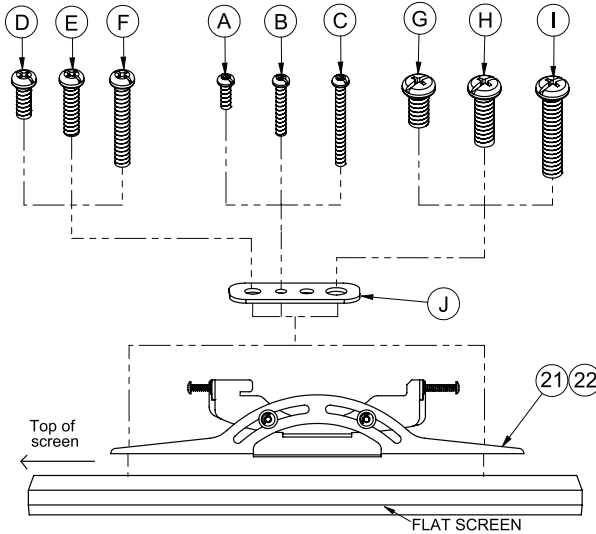


# 5

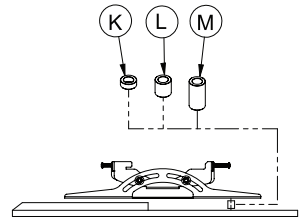
## Attach the Interface Arms to Rear of Screens

Attach interface arms to the back of both flat screens using the interface kit.

The interface arms (parts 21 & 22) can mount screens with fixing patterns up to 400 x 400mm.

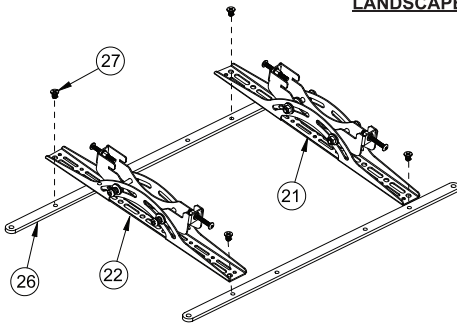


Use spacers for curved screens or screens with recessed fixings

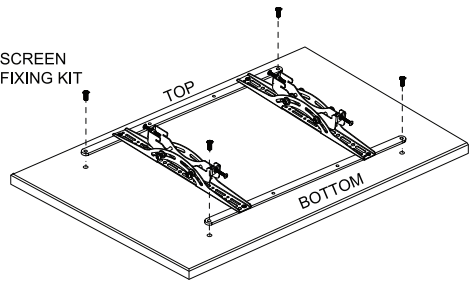


For screens with VESA 600 x 400mm fixings attach 600mm adaptor arms (part 26) onto interface arms (parts 21 & 22).

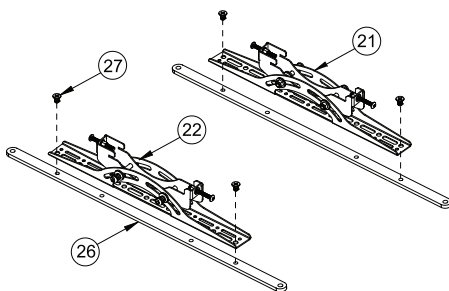
### LANDSCAPE MOUNTING



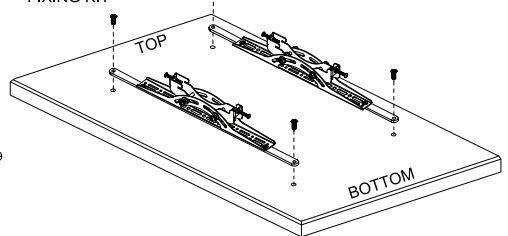
SCREEN FIXING KIT



### PORTRAIT MOUNTING



SCREEN FIXING KIT

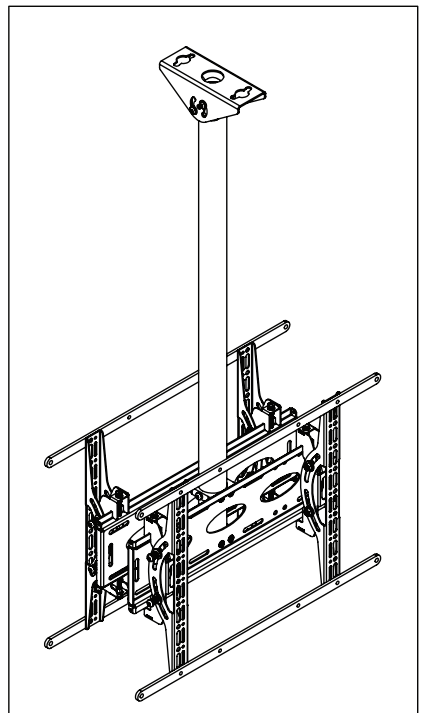
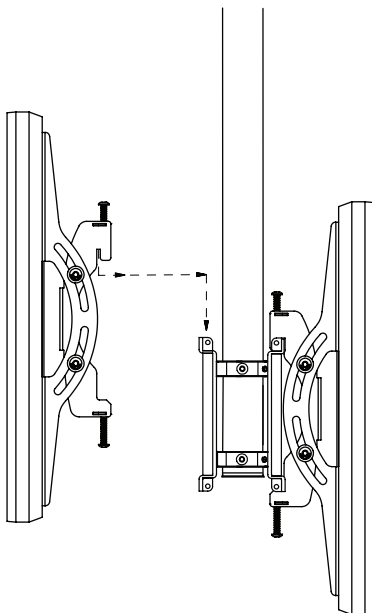
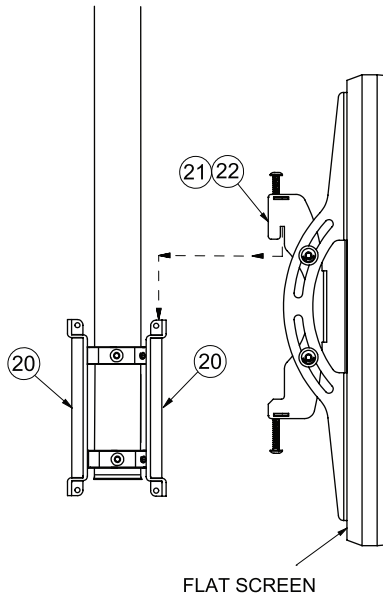


6

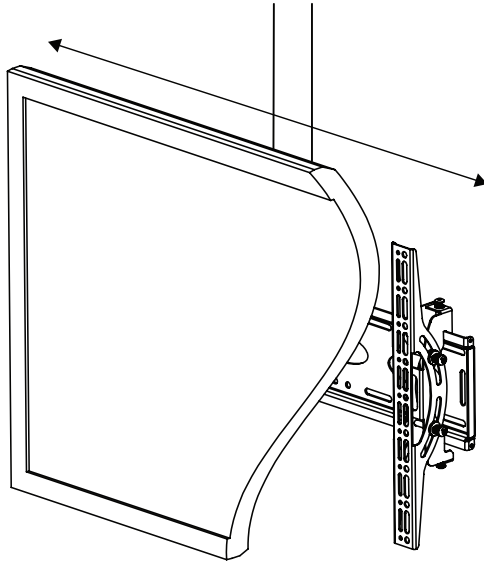
### Hook Screens onto Mount

Hook flat screens onto the interface plates (part 20).

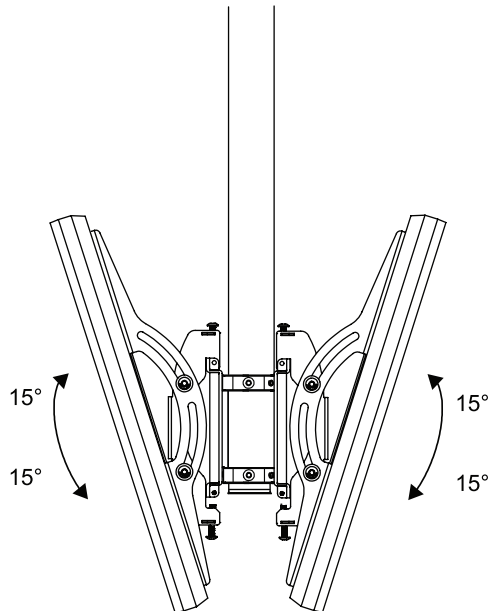
*This may require 2 people.*



## Lateral Adjustment

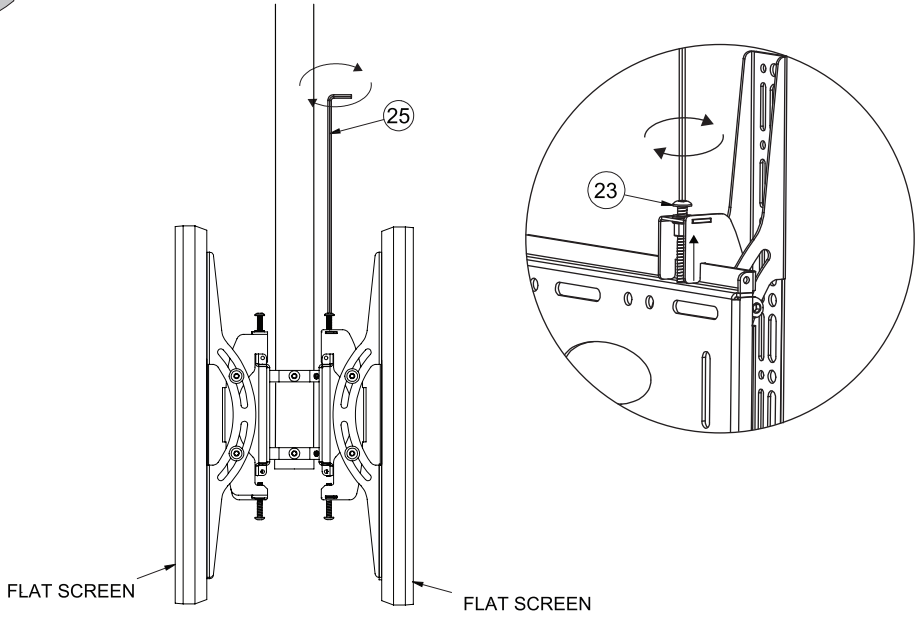


## Tilt Adjustment



7

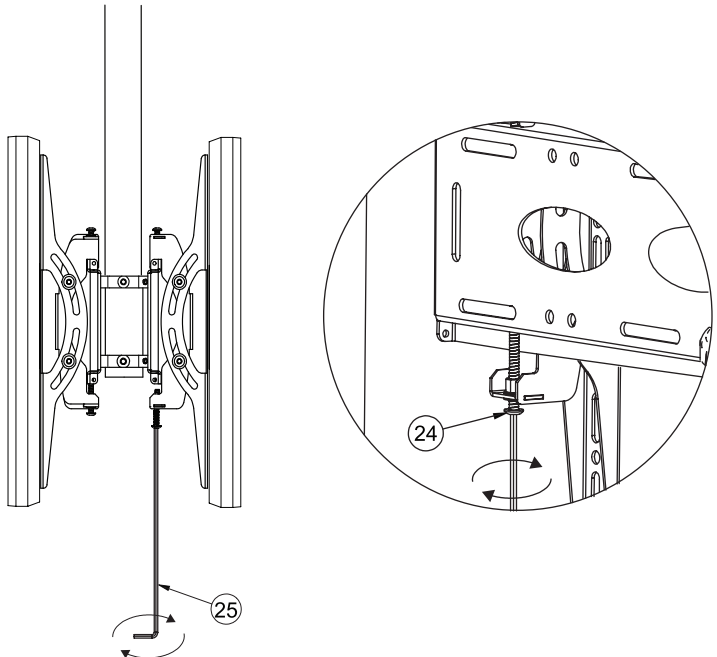
### Optional - Screen Levelling Adjustment



8

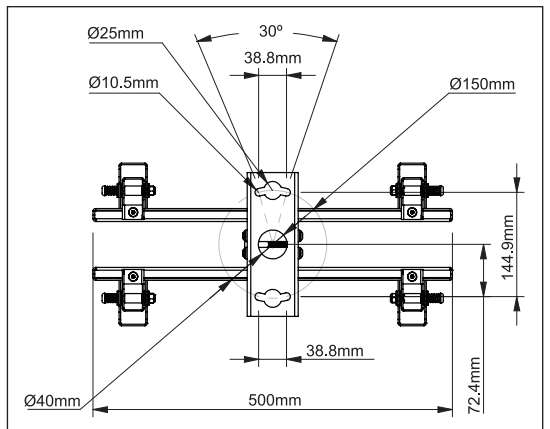
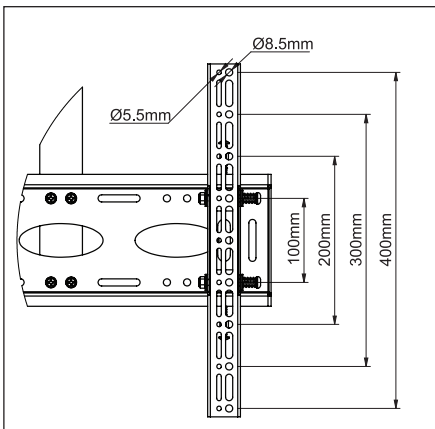
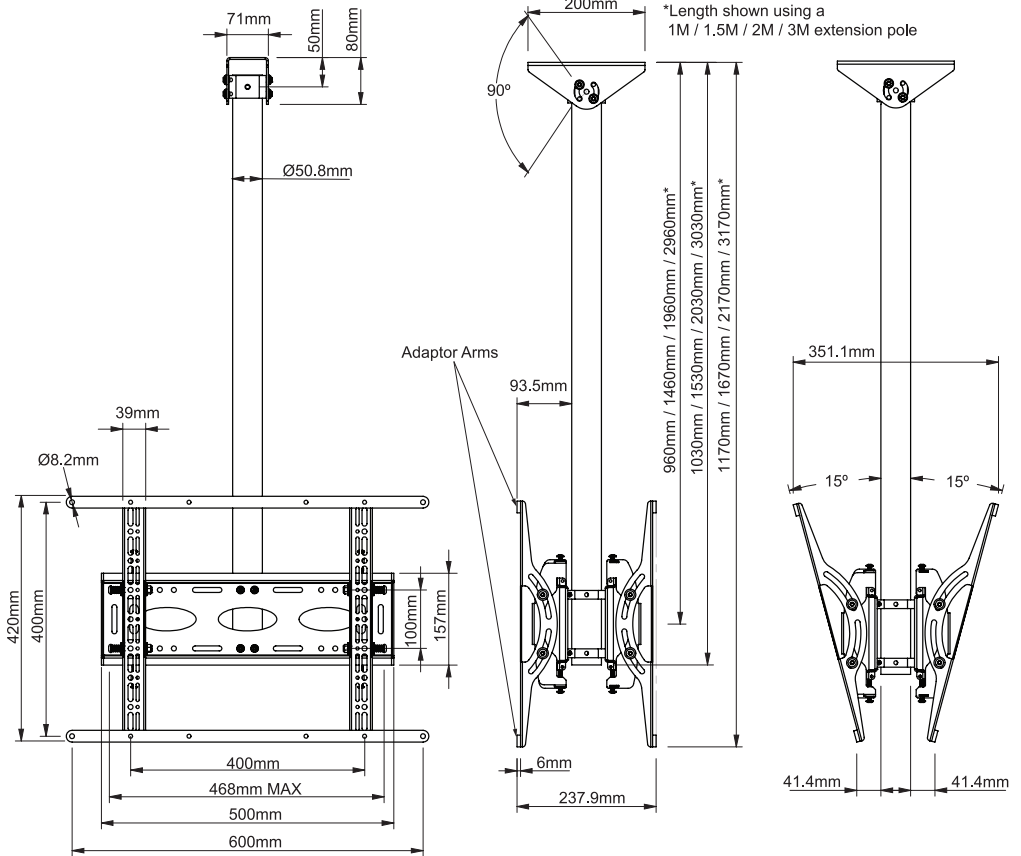
### Secure Screens to Ceiling Mount

Secure all interface arms to interface plates.



# BT8428

## PRODUCT DIMENSIONS



THESE INSTRUCTIONS ARE INTENDED AS A GUIDE ONLY AND B-TECH ACCEPTS NO LIABILITY FOR THE ACCURACY OF THE INFORMATION CONTAINED IN THIS DOCUMENT.



[www.btechavmounts.com](http://www.btechavmounts.com)

## **B-TECH AUDIO VIDEO MOUNTS**

### **HEAD OFFICE**

#### **B-Tech International Limited**

Bennett House, Long March, Daventry, Northants., NN11 4NR, UK

Email: [info@btechavmounts.com](mailto:info@btechavmounts.com)

©2017 B-Tech International Design and Manufacturing Limited. All rights reserved.

B-Tech Audio Video Mounts is a division of B-Tech International Design and Manufacturing Limited.

B-Tech, Better By Design and System 2 are registered trademarks of B-Tech International Design and Manufacturing Limited.

All other brands and product names are trademarks of their respective owners.

Photographs are for illustrative purposes only. E&OE.

AMA-BT8428-V1.3-0717-BTECH MADE IN P.R.C.