



kramer

VS-62H

6x2 4K60 4:2:0 HDMI Automatic Matrix
Switcher

| HDMI | Ethernet - RJ-45 | HDCP Compliant
| 4K/60 UHD (4:2:0)



VS-62H is a high-quality, 6x2 matrix switcher for 4K@60Hz (4:2:0) HDMI signals. It reclocks and equalizes the signals and can route any input to either or both outputs simultaneously. It supports resolutions up to 4K@60Hz (4:2:0) and WUXGA

FEATURES

Max. Data Rate - 8.91Gbps (2.97Gbps per graphics channel)

Max. Resolution - 4K@60Hz (4:2:0) and WUXGA

HDCP 1.4 Compliant

HDMI Support - 3D, Deep Color, x.v.Color™, Lip Sync, Dolby® TrueHD, Dolby Digital Plus, DTS-HD®, and 7.1 PCM

EDID Capture - Copies and stores the EDID from a display device

Programmable Step-In Functionality - When used in conjunction with compatible step-in devices, such as the SID-X3N (using an HDMI cable that supports HEC, the HDMI Ethernet Channel)

True Video Clock Detection

Auto Switching Option - For either or both outputs, last-connected or priority switching

Non-Volatile EDID Storage

Kramer reKlocking™ & Equalization Technology - Rebuilds the digital signal to travel longer distances

Lock Button - Prevents unwanted tampering with the front panel

Internal Pattern Generator

Kramer Protocol 3000 Support

Embedded Web Pages - Provide remote configuration and operation

Static or Dynamic DHCP IP Addressing

Flexible Control Options - Front panel buttons, IR remote (available upon request), optional external remote IR receiver, RS-232, Ethernet, contact closure, embedded Web server

USB Port - For upgrading firmware

 UniKomp.pl

Nowe Technologie IT

ul. Dworcowa 8
43-200 Pszczyna
sklep@unikomp.pl
www.wyswietlanie.pl

Telefony
(32) 210 22 11
(32) 326 33 00
(32) 212 88 22

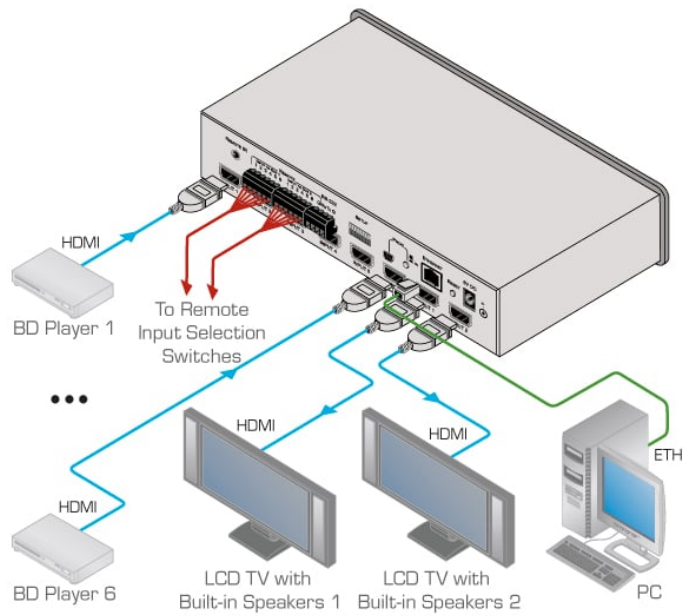


kramer

TECHNICAL SPECIFICATIONS

INPUTS:	6 HDMI connectors
OUTPUTS:	2 HDMI connectors
PORTS:	1 Ethernet on an RJ-45 connector, 1 IR on a 3.5mm mini jack, 12 remote selection contact-closure switches on 13 terminal block pins, 1 serial port on a 3-pin terminal block, 1 program port on a mini USB connector
MAX DATA RATE:	8.91Gbps data rate (2.97Gbps per graphic channel)
COMPLIANCE WITH HDMI STANDARD:	HDMI and HDCP 1.4
MAX. RESOLUTION:	WUXGA, 4K@60 UHD (4:2:0), 4Kx2K
SUPPORTED BAUD RATES:	9600, 115200bps
SUPPORTED WEB BROWSERS:	Windows 7: Google Chrome v25, FireFox v15, Opera v12, Microsoft Internet Explorer v9; Windows XP: Google Chrome v25, FireFox v15; Apple Mac: Google Chrome v25, FireFox v20, Opera v12.14, Safari v6
POWER CONSUMPTION:	5V DC, 880mA
CONTROLS:	Front panel buttons, infrared remote control transmitter, RS-232, Ethernet, remote input selection switches
OPERATING TEMPERATURE:	0° to +40°C (32° to 104°F)
STORAGE TEMPERATURE:	-40° to +70°C (-40° to 158°F)
HUMIDITY:	10% to 90%, RHL non-condensing
INCLUDED ACCESSORIES:	Power adapter
Product Dimensions	21.46cm x 16.30cm x 4.36cm (8.45" x 6.42" x 1.72") W, D, H
Product Weight	1.0kg (2.1lbs) approx
Shipping Dimensions	35.10cm x 21.20cm x 7.20cm (13.82" x 8.35" x 2.83") W, D, H
Shipping Weight	1.6kg (3.5lbs) approx





 **UniKomp.pl**

Nowe Technologie IT

ul. Dworcowa 8	Telefony
43-200 Pszczyna	(32) 210 22 11
sklep@unikomp.pl	(32) 326 33 00
www.wyswietlanie.pl	(32) 212 88 22